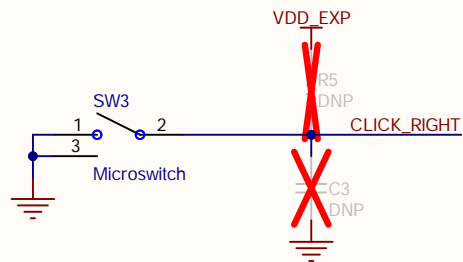
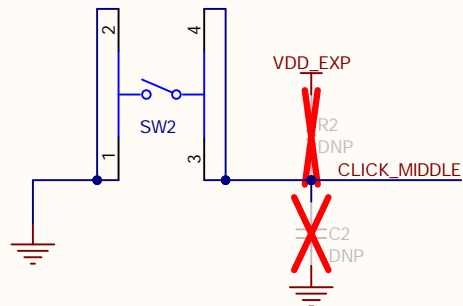
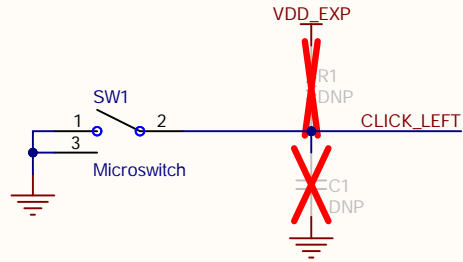


# moddoMOUSE

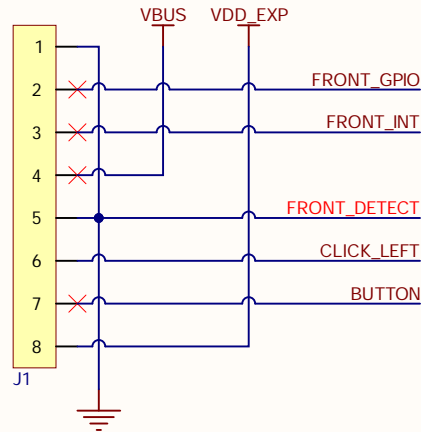
## FRONT DEFAULT

### REV B

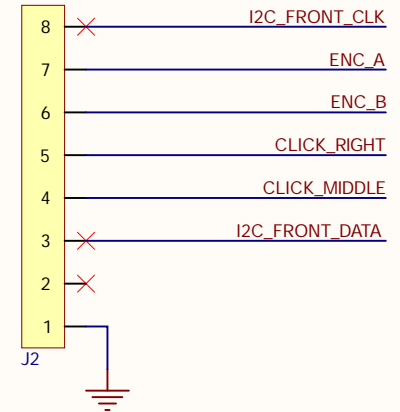
#### SWITCHES



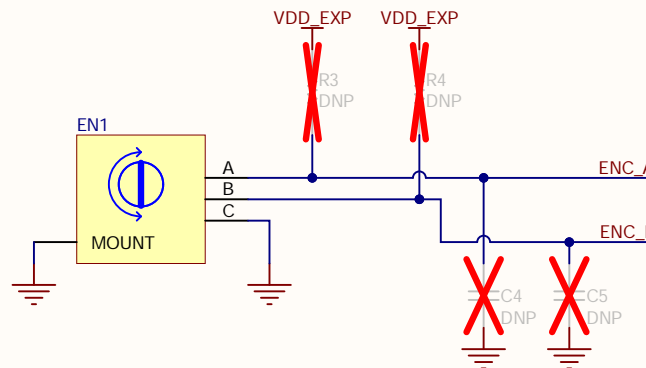
#### LEFT CONNECTOR





#### RIGHT CONNECTOR



#### ENCODER (SCROLL WHEEL)



 <b>moddo</b> <a href="https://moddo.io">https://moddo.io</a>  YouTube @moddoio	Rev: B
	Var: Main
Project: Front_Default.PrjPcb	
Name: Schematic.SchDoc	
Date: 2025-12-04	Sheet 1 of 1